

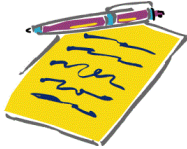


CROSSWAYS

The Newsletter of All Saints' Episcopal Church, Johnson City, NY

October 2021 Vol. 68 No. 10

From the Wardens



Rev. Liz Groskoph will be with us on October 10th and 24th as well as November 7th and 21st and provide Holy Eucharists. The Rev. Ed Murphy will provide Holy Eucharist on October 9th. The Rev. John Martinichio will provide us with Holy Eucharist on October 16th, 23rd and 30th. The Rev. Richard Schaal will provide Holy Communion on Christmas Eve at 5:00pm. There will be no 11:00 service on Christmas Eve.

It has been said in legal circles “that the Wheels of Justice turn ever so slowly”. The same can be said of All Saints in the Christian cycles “that the wheels of the Search for a new Rector campaign turn ever so slowly”. The Vestry will be meeting with Canon Carrie from the Diocese sometime with the next two weeks to get our search effort moving forward. We ask the parish for prayers for this search process. It is **important** for everyone in the parish to be involved in this process. If the wardens or vestry ask for your help/information, **please** provide your assistance to them. Without all of you, we can't be successful. Talking in groups without communicating to your wardens is not helpful.

Most of you probably know that the church was illegally entered on August 3rd and a laptop, tablet, microphone, and a blue cooler were stolen. The laptop, tablet and microphone had been purchased by Chris through a \$2,000 Information Technology grant from the Diocese. A suspect was apprehended in Binghamton in early September and the microphone and cooler were recovered. Gary Zurn was instrumental in replacing the laptop and tablet and microphone soon after the theft so that we could once again be online with zoom and Facebook. Gary also contacted the Diocese, explained about the theft of the Information Technology Items purchased with the Grant and he asked if All Saints could get a grant to cover our deductible from insurance to replace these items. He was successful in that effort.

Sunday worship service will be returning to its familiar service time of 10:00am. Thanks to Deacon Dorothy for her willingness to move the start time for her “Dwelling in the Word” ministry back to a slightly earlier time slot so we could enact the 10:00am worship service.

We appreciate the parish members' patience while we work through the process of scheduling supply priests for worship services from late summer through the end of the year so we can have Holy Eucharist at selected times during this period. Morning and Evening Prayer Services will be held when we couldn't schedule supply priests. These services will be led by our lay ministers with sermons periodically from Deacon Dorothy.

Judy Horton and Tom Johnson



PASTORAL CARE

Deacon Dorothy can be called for pastoral care calls and visits at 607-692-2126 or 607-624-1523. Here email is dorothy.k.pierce@gmail.com.

Service Information

The actual services below can also be found on [our home page](#).

Saturday Evening Service at 5:00 pm

Join Zoom Meeting

<https://us02web.zoom.us/j/84228908884?pwd=citwREkvUGpicW9mWGZrVTg4ejdOUT09>

Meeting ID: 842 2890 8884

Passcode: 164606

Sunday All Saints' "Dwelling in the Word" at 9 am

Join Zoom Meeting

<https://us02web.zoom.us/j/81031659214?pwd=UmNaaW9HamFRSTE2ZllhV2pDNktlQT09>

Meeting ID: 810 3165 9214

Passcode: 720925

Sunday Morning Service at 10:30 am

Join Zoom Meeting

<https://us02web.zoom.us/j/87402923910?pwd=U1JjVFUzUXBSRXpNaFh4MDZtaVJRQT09>

Meeting ID: 874 0292 3910

Passcode: 089839

All Saints' Vestry Meeting at 6/6:30 pm (2nd Wednesday)

Join Zoom Meeting

<https://us02web.zoom.us/j/86092488460?pwd=SE81d1hTMHZuQ28vNlE2OU9yYng1dz09>

Meeting ID: 860 9248 8460

Passcode: 269232

All Saints' Book Club at 5:30 pm (Last Thursday/Friday)

Join Zoom Meeting

<https://us02web.zoom.us/j/82864240561?pwd=bmNGZGhWWkhTHJ3RGxtZW1UazU3dz09>

Meeting ID: 828 6424 0561

Passcode: 949574

Compline on Thursdays at 8 pm

Join Zoom Meeting

<https://us02web.zoom.us/j/84972456704?pwd=U2dmOU10WEhleFBQemJjTm9PMdQvdz09>

Meeting ID: 849 7245 6704

Passcode: 809550

"Lunch Bunch" PB&B (3rd Friday)

Join Zoom Meeting

<https://us02web.zoom.us/j/83751804964?pwd=dXRiTVhFZm5CNGVOU2Rtd1B5a2ZuUT09>

Meeting ID: 837 5180 4964

Passcode: 297736

Even if you are not on a Facebook account or do not want to use ZOOM, you are able to view the worship services and Evening Prayer by following this

link: <https://www.facebook.com/pg/allsaintsjcny/videos> . When all else fails digitally, there is still the telephone. If you let Deacon Dorothy (607-624-1523) know ahead of time, we can connect about 6 people by phone for a service.



**“DWELLING IN THE WORD”
SUNDAYS AT 8:45AM VIA
ZOOM**

"Dwelling in the Word," Bible Study, will continue Sundays at 8:45am via "Zoom." "Dwelling in the Word" is a way of spiritually listening to the text as one-way God speaks to us, with a willingness to be shaped by what God might want to say through the Scripture.

See above section of Service Information for the [link to this service](#). Meeting ID: 810 3165 9214
Passcode: 720925

Vestry Synopsis for September



- ✓ Vestry is going to be meeting with Cannon Carrie now that summer is over to begin the process of looking for a rector.
- ✓ Financials were reviewed and approved.
- ✓ Don and Debbie Thorpe came and spoke with the Vestry regarding communication and the upcoming Stewardship drive.
- ✓ There was a discussion on moving back to the 10:00am format and approved.
- ✓ Fundraising was discussed.
- ✓ Discussion continued concerning the website but unclear what is needed.

**VESTRY TO MEET BY ZOOM
AND IN-PERSON
ON WEDNESDAY, OCTOBER 13th AT 6:00/6:30 PM**



The October meeting of the Vestry will be held on Wednesday, October 13th at 6:00 pm via Zoom and in-person. God willing Agenda, Minutes, and Financial will be sent to you by e-mail. The **actual start time is 6:30 PM** but those who wish to connect earlier, and chat are welcome to do so from 6:00 - 6:30 PM.

To connect to the meeting go to the Zoom site (<https://zoom.us>); then “join a meeting” using the following Meeting ID: 810 0922 6188 and Password: 322527. Or you can use this link: Join Zoom Meeting <https://us02web.zoom.us/j/81009226188?pwd=QTZMRHNNNzJFMj13VTNqQ3E1MWxaZz09>

Remember to click “use computer audio” and to use the “camera icon” at the bottom to start the video.

You can use the “microphone” icon to mute and unmute yourself. If you call in, dial 1-646-558-8656 then follow the prompts for the meeting ID, password, etc.



**PROPERTY COMMITTEE
REPORT**

If you see something that needs fixing at the church or the rectory, please see one of the following members of the committee – Dennis Cole, Rick Hrebin, Matt Labosky or Gary Zurn. If you have questions, please see any of the Property Committee members, members of the Vestry or the Wardens.

TLC has been approved to remove the shrubbery along all the front of the church and regrade the land and install sod to hopefully prevent any more water seeping through the foundation into the basement. The pink hydrangea will be replanted, and Ida Taft is saving some perennials and will replant those. Work will begin this week.

We have received insurance approval to replace the double doors where Soup & Sandwich come through that were broken during the theft. The original doors were broken through during the theft. FE Jones has been approved to do the work soon if the cost can be covered by insurance.

Replacement laptop computer, iPad, microphone have been purchased for ZOOM and Facebook Live. Insurance check will be received soon minus \$1000 deductible.

Check from the Diocese will be arriving soon if not already to cover the insurance deductible on the theft of the video equipment.

We also have four toilets that need to be repaired with estimated cost of \$800.

Dennis Cole held a housing inspector's class at the rectory and as part of the class the rectory was inspected. A full report of issues will be given to the wardens and vestry shortly. The following are some of the issues found:

- Some of the roof is starting to look weathered and appeared to have some leaking areas around flashing.
- The boiler is old and needs some work. It was recommended to be replaced by one member in training as he was a former boiler person. He estimated the price to be about \$15,000.
- Some of the outlets are wired incorrectly (reverse polarity) and the GFCI outlet at the front bathroom won't trip.
- Fogged glass in various double pane windows.
- Incorrect grading around the foundation with water evidence in the basement.
- There is asbestos on the heating pipes which is problematic if the rectory is ever sold.
- Found termite shelter tubes and some termite damage in the basement.
- The front porch needs repair.
- The driveway is in poor condition.

If anyone would like to make contributions to any of the needs above, make a notation on your check to that effect.



Online Safe Church Training: One hour follow-up meeting

October 27, 7:00 pm–8:00 pm

FREE

This meeting is for you IF you have just completed the online Safe Church Training *for the first time*.

Led by the Rev. Pat Kinney. Participants will have the opportunity to ask

questions about the information that was presented in the online Safe Church Training.

The workshop will be offered by Zoom on Wednesday, October 27th (7:00-8:00 p.m.)

Please [register](#) to receive the Zoom link.



Dear Everyone,

It has been quite the year and a half! COVID wreaked havoc on all communities and we saw how fragile our food system was and how many people suddenly found themselves in situations of need they never imagined. But in the midst of that, we saw how OUR community rose up to help, and we are proud that CHOW was able to be a part of that help. The good work CHOW did to help food insecure folks, couldn't have happened without the support of the good people of our community! To that end, I wanted to let you know about our upcoming Virtual CHOW Hunger Walk.

As a participant in last year's Hunger Walk, you probably remember that we changed things up a bit. Rather than an in-person walk, we did it "virtually" where teams, families and individuals could walk on their own time, over the course of 10 days. Because of the success of that, we are doing it the same way.

So from **October 1-9**, you can choose to walk ¼ mile, whenever and wherever you like, to represent the 1 out of 4 kids in Broome who don't necessarily know where their next meal is coming from. The goals are still the same:

1. To raise awareness about hunger in Broome County
2. To raise funds to help feed our neighbors in need
3. To exercise and have fun!

The CHOW® Hunger Walk helps provide food to our neighbors in need throughout the year. **Every \$1 donated = 5 meals in the community.** Once again, we've set a goal of \$10,000, or 50,000 meals. Would you help us reach this goal? You can visit [justgiving.com/campaign/cw21](https://www.justgiving.com/campaign/cw21) to make a difference today. Click on "Donate" to make a donation or "Start Fundraising" to create your own fundraising page. If you have any questions, call us at 607-724-9130 x306.

Sincerely,

Les Aylesworth
Director of CHOW

Mission Statement

We are members of the family of God who gather for worship, prayer, fellowship, and service.

Together, we commit ourselves:

- **To love and care for one another;**

Per a request from wardens Judy Horton (729-2794) and Tom Johnson (725-2613), please call them if you know of someone within the parish that needs help or checking on. They would rather have multiple calls than no calls thinking someone else will call them with news on parishioners.



A big THANK YOU to everyone who helps, year after year, on these important fund raisers. The results of the Chicken BBQ for September was \$1839.



I would like to begin the 2022 Stewardship Campaign in early October this year. I realize that this makes it difficult for some people to figure out what amount to pledge for 2022 when it is still 2 to 3 months away, and there are so many challenges facing each of us personally. There are also challenges facing All Saints' Church such as the retirement of The Reverend Christine Day, Challenges also include where do we stand in terms of the search process, the type of services offered on weekends (Eucharist vs. Morning or Evening Prayer), church repairs, and church finances, just to name a few? I will soon be sending out a Stewardship Letter asking for your support as well as a short survey asking for your opinions. Please return the pledge card and survey in the postage paid envelope as soon as possible, but no later than November 7. This will enable the Vestry and Finance Committee to make a realistic budget and discuss the survey results. Please remember WE'RE ALL IN THIS TOGETHER. It is important that your voices are heard, your questions are answered, and we, as a community of GOD'S PEOPLE, can continue to do the work given to us using our TIME, TALENT, and TREASURE. God bless each of you for all you do now as well as what you have done in the past and what you will do in the future.

Don Thorpe, Stewardship Chair



Crossways Editor: Is there someone within the parish who would like to become the *Crossways* editor? The newsletter is done in Microsoft Word. Contact [Gary Zurn](#) or 607-727-8445.



Website Administrator: Is there someone in All Saints' who would like to become the Websexton for our website? It is written in Microsoft Word. Contact [Gary Zurn](#) or 607-727-8445.



EPISCOPAL DIOCESE OF CENTRAL NY NEWS

The following is the link to the [Diocesan News](#). Here is the direct link to the [Diocesan Blog](#).

You can subscribe to the *Messenger* at cnyepiscopal.org/messenger for more information.

EPISCOPAL NEWS SERVICE

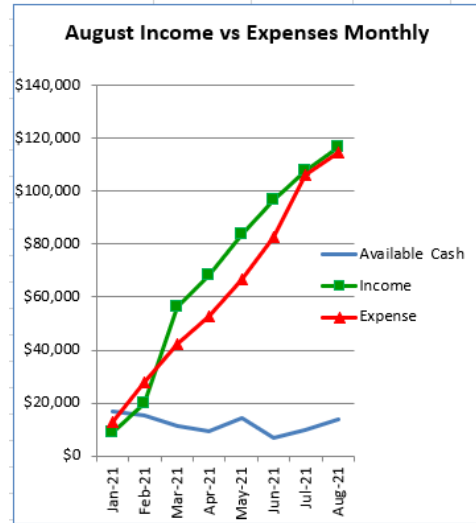
[Episcopal News Service](#) The official news service of the Episcopal Church.

DOLLAR\$&CENTS

AUGUST 2021

Truly, with “God all things are possible” (Matthew. 19:26). Below are the August actuals. The balance sheet from the vestry meeting of August in the narthex shows \$25050. That has been normalized to remove designated funds such as Insurance Claim 42368 - \$9584, CHOW - \$1287, Soup & Sandwich - \$1319 and Diocese Grant for Electricity \$202 and Tioga Downs Grant \$1106. This leaves usable checking account = \$12658 which is shown below and total usable cash/checking and Repair and Maintenance of \$13,913.

	Actual August 31, 2021	Annual Budget 2021
Offering & Pledges	\$69,616	\$99,234
Fundraising	\$5,920	\$9,000
Other Income	\$40,875	\$16,362
Total Income	\$116,410	\$124,596
Total Expenses	\$114,805	\$124,596
Profit(Loss)	\$1,605	\$0
Income Needed from Equity Surplus	\$0	\$0



Available cash	
Petty Cash	\$150
All Saints' Checking	\$12,657.67
Rebuilding All Saints'	\$0
CIF Repair & Maintenance	\$1,106
CIF - Investment Reserve Fund	\$0
Total	\$13,913



Watch for more information in the November issue of Crossways concerning the resumption of Silver Bells for Christmas. Two years ago, we had 10 tags for senior citizens. Each tag has a name on it and what they would like. They will be collected by Broome County Council of Churches (BCCC).



The following are from the Joyfulnoiseletter.com and used by permission.

Signs and wonders

Sign outside St. Mary Catholic Church, Hampton, IL:
 "Our Lifeguard walks on water."
 — via Joseph Brozovich
 East Moline, IL

Sign outside So. Seminole Church of Christ, Winter Park, FL:
 "Don't follow the stars, Listen to the One who made them."
 — via Bobbe Lyon
 Maitland, FL

Sign in a church parking lot:
 "Preacher parking only. You park, you preach."
 — via Rev. Dale A. Schoening
 Woodward, IA

Sign outside Lititz (PA) Moravian Congregation:
 "Happy hours every Sunday."
 — via Rev. Dean R. Jurgen

Sign outside South Side Church of God, South Bend, IN:
 "Education will never become as expensive as ignorance."
 — via Marvin D. Hills
 South Bend, IN

Sign outside So. Seminole Church of Christ, Winter Park, FL:
 "Are you a 7th Day Absentist?"
 — via Bobbe Lyon
 Maitland, FL

It has been calculated that if the widow's mite had been invested in the First National Bank of Jerusalem 2,000 years ago at 4% interest compounded semi-annually, the \$4,800,000,000,000,000,000,000 now in the account could pay off several national debts.

\$1

A visiting preacher went to preach for a country church. Near the front door was a box labeled "Offering." The preacher dropped in a quarter.

After the church service, the treasurer said to the preacher, "We pay you whatever is in the offering box." When the box was opened, the preacher found only his quarter.

— Rev. Tal Bonham

\$1

THE FAMILY CIRCUS By Bil and Jeff Keane



"I couldn't think of any new prayers, so I just said the Pledge of Allegiance instead."

from JoyfulNoiseletter.com
 Reprinted with permission of Bil Keane



"Attendance is down again this morning. If we're going to call ourselves a congregation, we're going to have to congregate."

from JoyfulNoiseletter.com
 ©Martha Campbell
 Reprinted with permission

Puzzle!

Complete this Bible passage by adding the missing vowels.



F_r by gr_c_ y_ _ h_v_
b_ _n s_v_d thr_ _gh
f_ _th, _nd th_s _s n_t
y_ _r _wn d_ _ng; _t _s
th_ g_ft _f G_d — n_t th_
r_s_lt _f w_rks, s_ th_t
n_ _n_ m_y b_ _st.

_ph_s_ _ns 2:8-9, NRSV













Answer: For by grace you have been saved through faith, and this is not your own doing; it is the gift of God — not the result of works, so that no one may boast. Ephesians 2:8-9, NRSV



MASTER MULTIPLICATION

Jesus tells a parable about faithful servants who multiply their master's money. How does the master respond?

Directions: Solve the math problems. Find the letters that match the answers and write them in order to complete Matthew 25:21, NIV.

- | | |
|--|---|
| ⑤ x 3 =  | ⑥ x 6 =  |
| ⑦ x 4 =  | ⑨ x 3 =  |
| ④ x 6 =  | ③ x 8 =  |
| ② x 10 =  | ⑩ x 4 =  |
| ⑨ x 5 =  | ⑪ x 8 =  |

KEY

A = 28	J = 50	S = 88
B = 35	K = 21	T = 45
C = 14	L = 63	U = 64
D = 25	M = 15	V = 32
E = 33	N = 24	W = 80
F = 72	O = 77	X = 56
G = 40	P = 54	Y = 20
H = 36	Q = 9	Z = 48
I = 27	R = 16	

"His master replied, "Well done, good and faithful servant!

You have been faithful with a few things;

I will put you in charge of _____.

Come and share your master's happiness!"

MATTHEW 25:21, NIV



PRAYER LIST BEGINNING SEPTEMBER

Policy reminder: Submitted names are placed on the short-term list for four weeks and then moved to long term by request of the person submitting the name, or by need known by the Rector. **Also, we are trying to be sure that our prayer lists are as updated as possible and certainly do not want to remove someone that should be on it. If you know of someone that should be removed, please let the office know. Thank you.**



Short Term: Bill Barkman, Glenn, Coral Grabowski, Chieyanne, Lan Kiley, Dave, Matt Fiacco, Edward Kraack, Jeffery Blaine, Ed Segal, John Watkins, Jacob Harrison, Jill Weston, Lucy Bedell, David Patch, John Cook, Victor Kasmarcik, Ryan Lane, Sam McMullen, Hannah Burrell, Darlene Byarley, Jeanette Cook, David and Judy Horton, Margaret Isaminger, Sarah Harrison-Pautard



Long Term: Bobbi Zurn, Herb Lake, Marty Kasmarcik, Tom Stout, Bill Kasmarcik, Doug Carlson, Dorothy Pierce, Noelle Benson, Richard Benson, Eli Bedell, Tony Szwalla, Bob Gillmer, Stacy Matto, Kenneth Barkman, Jenna Knapp, and Nanette McIntosh

Military: in the Reserves, Michael Lake



Shut Ins: Thelma Barkman, Clark Byarley, Sally Cole, Arlene Foley, Ruth Furman, Lee Grabowski, Patricia Holloway, and Ardis Rogers

CELEBRATIONS IN OCTOBER



04 Amanda Steber
05 Ken Barkman
 Sky Rain Sherman
10 Ryan Barkman
 David Patch
14 Richard J. Hrebin Sr.
 Christopher LaMaine
16 Jessica Wilcox
20 Faith Ann Sherman
 Margaret Isaminger

24 Robert Gillmer
30 Ryan Small



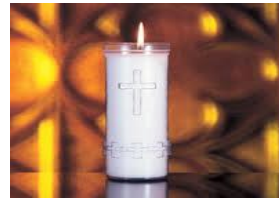
09 Lee & Lucy Grabowski
26 Richard & Bonnie Hrebin

OCTOBER ALTAR FLOWERS AND SANCTUARY CANDLE



Altar Flowers

And



Altar Flowers

October 3rd are given in thanksgiving of Kenneth and Ryan Barkman birthdays by Linda, Dave, and Thelma Barkman

October 10th – are given in memory of her mother Vivian Haskins by Lois Kimble and given in thanksgiving of Ryan Barkman birthdays by Linda, Dave, and Thelma Barkman

October 17th – are given in celebration of Faith Ann Sherman's birthday by Judy and Dave Horton.

October 24th are given by Linda, Dave, and Thelma Barkman in thanksgiving for the birthday of Robert Gilmer

October 31st - are given in memory of Adeline Thorpe by Debbie and Don Thorpe

Sanctuary Candle

October 3rd is given in memory of Paul Chamberlain by Linda, Dave, and Thelma Barkman

October 10th - None

October 17th - None

October 24th – None

October 31st - None



Deaths In September

Ralph Holloway

The following prayer is from the Evening Prayer service in the Book of Common Prayer:

Keep watch, dear Lord, with those who work, or watch, or weep this night, and give your angels charge over those who sleep. Tend the sick, Lord Christ, give rest to the weary, bless the dying, sooth the suffering, pity the afflicted, shield the joyous: and all for your love's sake. Amen.

The Final Word 

Abilities: Romans 12:6 –*God has given each of us the ability to do certain things well.....*

Wise are those who discover their God-given gifts and make the best of them. Foolish is the person who wants those gifts that God hasn't given and spends his or her life in idle dreams of what could have been. Set your mind on discovering those gifts and abilities that God specifically had in mind when he made you. (Think about this reading as you consider your stewardship commitment to All Saints for 2022 – see Stewardship article from Don Thorpe.

NLT-GEZ

The calendar on the following page is based on church activities as usual. Many meetings are via ZOOM or Facebook Live see above for information.



October

October 2021



October

Sunday	Monday	Tuesday	Wednesday	Thursday	Friday	Saturday
26 9:00 AM - 10:00 AM <i>Dwelling in the Word via ZOOM</i> 10:30 AM Christian Education 10:30 AM Holy Eucharist with Rev. Liz Groskoph with Nancy Kiley assisting in-person and via Zoom and Facebook.	27 Office Closed 10:00 AM - 11:00 AM CHOW Pantry	28 10:00 AM - 11:00 AM CHOW Pantry	29 10:00 AM - 11:00 AM CHOW Pantry	30 10:00 AM - 11:00 AM CHOW Pantry 8:00 PM <u>Compline via Zoom</u>	1 Office Closed	2 12:00 PM - 1:00 PM Soup & Sandwich Lunch 5:00 PM Evening Prayer lead by Rick Hrebin
3 9:00 AM - 10:00 AM <i>Dwelling in the Word via ZOOM</i> 10:30 AM Christian Education 10:30 AM Morning Prayer with Linda Barkman in-person and via Zoom and Facebook.	4 Office Closed 10:00 AM - 11:00 AM CHOW Pantry	5 10:00 AM - 11:00 AM CHOW Pantry 6:30 PM Jr. League BD Meeting	6 10:00 AM - 11:00 AM CHOW Pantry	7 10:00 AM - 11:00 AM CHOW Pantry 8:00 PM <u>Compline via Zoom</u>	8 Office Closed	9 12:00 PM - 1:00 PM Soup & Sandwich Lunch 5:00 PM Holy Eucharist with Rev. Ed Murphy - in person and via Zoom and Facebook. Assisted by Rick Hrebin
10 9:00 AM - 10:00 AM <i>Dwelling in the Word via ZOOM</i> 10:30 AM Christian Education 10:30 AM Holy Eucharist with Rev. Liz Groskoph with Linda Barkman assisting in-person and via Zoom and Facebook.	11 Office Closed 10:00 AM - 11:00 AM CHOW Pantry	12 10:00 AM - 11:00 AM CHOW Pantry	13 10:00 AM - 11:00 AM CHOW Pantry 6:30 PM Vestry Meeting	14 10:00 AM - 11:00 AM CHOW Pantry 8:00 PM <u>Compline via Zoom</u>	15 Office Closed	16 12:00 PM - 1:00 PM Soup & Sandwich Lunch 5:00 PM Holy Eucharist with Rev. John Martinichio - in person and via Zoom and Facebook. Assisted by Kathy Cramer
17 9:00 AM - 10:00 AM <i>Dwelling in the Word via ZOOM</i> 10:30 AM Christian Education 10:30 AM Morning Prayer with Gary Zurn in-person and via Zoom and Facebook. Sermon by Dorothy Pierce	18 Office Closed 10:00 AM - 11:00 AM CHOW Pantry	19 10:00 AM - 11:00 AM CHOW Pantry	20 10:00 AM - 11:00 AM CHOW Pantry	21 10:00 AM - 11:00 AM CHOW Pantry 8:00 PM <u>Compline via Zoom</u>	22 Crossways Articles Due to Gary Zurn Office Closed	23 12:00 PM - 1:00 PM Soup & Sandwich Lunch 5:00 PM Holy Eucharist with Rev. John Martinichio - in person and via Zoom and Facebook. Assisted by Rick Hrebin
24 9:00 AM - 10:00 AM <i>Dwelling in the Word via ZOOM</i> 10:30 AM Christian Education 10:30 AM Holy Eucharist with Rev. Liz Groskoph with Linda Barkman assisting in-person and via Zoom and Facebook.	25 Office Closed 10:00 AM - 11:00 AM CHOW Pantry	26 10:00 AM - 11:00 AM CHOW Pantry	27 10:00 AM - 11:00 AM CHOW Pantry 5:30 PM Book Club via Zoom	28 10:00 AM - 11:00 AM CHOW Pantry 8:00 PM <u>Compline via Zoom</u>	29 Office Closed	30 12:00 PM - 1:00 PM Soup & Sandwich Lunch 5:00 PM Holy Eucharist with Rev. John Martinichio - in person and via Zoom and Facebook. Assisted by Rick Hrebin
31 9:00 AM - 10:00 AM <i>Dwelling in the Word via ZOOM</i> 10:30 AM Christian Education 10:30 AM Morning Prayer with Linda Barkman in-person and via Zoom and Facebook.	1 Office Closed 10:00 AM - 11:00 AM CHOW Pantry	2 10:00 AM - 11:00 AM CHOW Pantry 6:30 PM Jr. League BD Meeting	3 10:00 AM - 11:00 AM CHOW Pantry	4 10:00 AM - 11:00 AM CHOW Pantry 8:00 PM <u>Compline via Zoom</u>	5 Office Closed	6 12:00 PM - 1:00 PM Soup & Sandwich Lunch 5:00 PM Evening Prayer with Rick Hrebin leading - in person and via Zoom and Facebook.

All Saints' Christian Education Registration Form

Child Information

1. Name: _____

2. Date of Birth: _____ Age _____

Grade for 2021-2022 School Year or Toddler: _____

Any allergies All Saints should be aware of? What?

3. Name: _____

Date of Birth: _____ Age _____

Grade for 2021-2022 School Year: _____

Any allergies All Saints should be aware of?

What? _____

4. Name: _____

Date of Birth: _____ Age _____

Grade for 2021-2022 School Year or Toddler: _____

Any allergies All Saints should be aware of?

What? _____

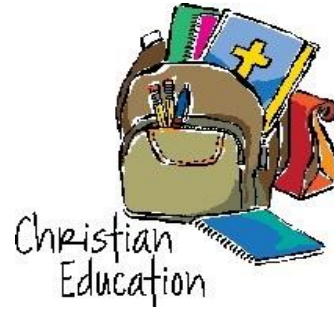
5. Name: _____

Date of Birth: _____ Age _____

Grade for 2021-2022 School Year or Toddler: _____

Any allergies All Saints should be aware of?

What? _____



Parents or Other Relative* Information

*Please indicate if parent or other relation (write in relationship, ex grandmother, aunt, cousin, sister, etc.)

Mother's* Name: _____

Mother's Address: _____

Mother's Home Phone Number: (_____) _____ Cell _____

Mother's Email Address: _____

Father's* Name: _____

Father's Address (if different): _____

Father's Home Phone Number: (_____) _____ Cell _____

Father's Email Address: _____

___ I/We would like to help by teaching, assisting, crafts or refreshments? (circle choice)