

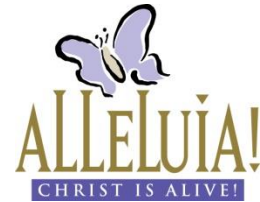


CROSSWAYS

The Newsletter of All Saints' Episcopal Church in Johnson City, New York

May 2019
Vol.67 No. 4

Thursday of Easter Week
April 25, 2019



Dear Friends in Christ,

“Alleluia! Christ is risen!” “The Lord is risen indeed! Alleluia!” On the fifth day of Easter, after forty days of Lent and five Sundays of Lent, the words still sound new to our ears. Yet they have been said in celebration of Our Lord’s resurrection for almost two millenniums. Think about it: two thousand years of living into the hope of resurrection. Sometimes it is difficult to live into the hope resurrection: during the Domitian persecutions in the 1st century or in 2019 when terrorists bombed churches in Sri Lanka. Yet living into the hope of resurrection is what we promise to do each time we renew our Baptismal Promise to “proclaim by word and example the Good News of God in Christ.” (*BCP, 1979* pg. 305)

We tend to be shy Episcopalians and often quake at the thought of speaking about our faith. For many proclaiming the Good News of God in Christ by word may seem impossible. So here’s a challenge for the first month of Easter, May:

- For the first week: once a day, mention something about church to someone you talk to daily (family member, close friend, roommate, etc.). It can be as simple as saying, “I went to church on Easter.”
- For the second week: once a day, mention something about church to someone who is not a family member (friend, neighbor, etc). It could even be saying, “There’s a Chicken BBQ at All Saints’ on Saturday, May 11th, want to order some chicken?”
- For the third week: once a day tell a family member or friend something you like about All Saints’. It could even be how good that Chicken BBQ was!
- For the fourth week: tell one person why All Saints’ or your faith is important to you.

If you successfully complete the above challenge you’ll be all set to proclaim by word and example the Good News of God in Christ just in time for Pentecost the weekend of June 8th and 9th!

Blessed Easter,
Faithfully yours,

The Very Rev. Christine J. Day
Rector

Easter Tide

"The resurrection always comes." Easter message from Bishop DeDe Duncan-Probe



In her 2019 Easter video message, Bishop DeDe Duncan-Probe encourages us to continue our Lenten journey into the Easter season. [Transcript available on the diocesan website>](#)

[Here is the link to Central New York News and Events.](#)



Vestry meeting May 8th at 6:30pm

for Palm Sunday and Easter. There is still much to do but there were limited people available. We were able to pick up trash, cleaned up the parking lot, cleaned windows facing Main Street in the church, dusted windows in the church, replaced ceiling spot light over the organ, cleaned toilets and urinals, removed leaves from the rectory back yard and along the driveway at the rectory, fixed the sticking front door and replaced the parking lot bumpers and edging moved during the winter plowing.

The Property Committee



WORK PARTY THANK YOU

Big Thank You to Dennis Cole, Matt Labosky, Austin and Bob Steber, Bobbi and Gary Zurn for their help cleaning the church, grounds and rectory



ALTAR GUILD SAYS THANKS.

We thank Patti Donnelly, Judy Horton, Arlene Huyck, and Kim Trowbridge for their cleaning. Everything sparkled.

The Altar Guild extends to Patty Donnelly our best wishes on her move to North Carolina. We will miss her and have greatly appreciated her service to the Altar Guild as co-director. We welcome Carol Bivanio to the Altar Guild.



APRIL IS OUR COLLEGE LOVE BOX COLLECTION TIME! – THANK YOU

I thank all who contributed to our Spring College Love Box Collection! It is much appreciated by our 10 students and reminds them that people are thinking and praying for them when they are stressed by finals. It is appreciated.

Lonna Pierce



On behalf of all those who prepare the Saturday lunches, and all those who benefit from the nutritious tasty food -Thank You. Once again, the generosity of the congregation at All Saints is overwhelming.

There was \$721.76 donated to the Soup and Sandwich Saturday program this Lent. This is the main fund raiser for the program, and this money goes a long way in helping us fulfill our mission of nurturing all comers. If you have planned on giving a donation, it is not too late. Again, thank you.

Don and Debbie Thorpe



CONGRATULATIONS DEBBIE THORPE! FAITH IN ACTION VOLUNTEER HONOREE BY THE BROOME COUNTY COUNCIL OF CHURCHES!

Debbie Thorpe will be honored as a [Faith in Action Volunteer](#) Honoree by the Broome County Council of Churches on May 2, 2019 at the DoubleTree by Hilton in Binghamton. You are invited to come and cheer on Debbie as she receives this prestigious award. Tickets for the breakfast are \$35 each and the office can send in the “RSVP” and ticket reservation. This event will begin with a breakfast banquet at 7:15AM. Program will start at 8:00AM. Well done and well-deserved Debbie!



**Troop 110 & 6110
Pasta Dinner
May 4, 2019
4:00pm-7:00pm
In Parish Hall**

Our Scouts are doing a fund raiser pasta dinner on May 4, 2019 from 4:00pm-7:00pm. Adults - \$8.00, Children (12 and under) - \$4.00, Children under 4 – Free.

Dinner includes: pasta, roll, salad, drink and dessert. Meatless and carry out will be available.



BOY SCOUTS FLOWER & PLANT SALE

This is a reminder about the flower pick-up. Flower pick up will be Friday, May 10th the day before the BBQ in the upper lot from 8:00am – 11:00am.

Saturday, May 11th
Serving 11 AM until sold out



Full Dinner: \$9.00

**[1/2 chicken, baked beans, coleslaw
and roll]**

Half Chicken: \$6.00

**Spring is coming and so are All Saints'
Chicken BBQs...**

A big THANK YOU to everyone who helps, year after year, on these important fund raisers. The vestry has scheduled our two Chicken Barbecues for May 11th and June 15th. Please reserve these dates, we

**Mother's Day is
Sunday, May 12th**



Give thanks for all women who have been an influence and blessing in your life! Think of purchasing a flower or flowers from the Scouts for her.

need your support to make these BBQs successful. When you are out shopping please pick up charcoal to help reduce the cost of the BBQ.

If you can't work as many hours on the BBQ as you would like, this year there is another way you can help make this fund raiser more successful. The cost of the chicken and other food for the 2 BBQs is about \$2,500, If you would like to make a donation to help defray the cost and increase our profit, please make your check out to All Saints' and put Chicken BBQ in the memo line.

Watch for the signup sheets, they will be posted soon. The BBQs are always a good time for fellowship and the more help we have the easier it is for everyone.

If anyone has any questions, contact the chairperson of the BBQ: Matt Labosky for May BBQ and Barb Freed and Linda Barkman for June BBQ.

Volunteer to help and sell tickets to your friends and neighbors!



**LIFE GOES ON MEETING
IN MAY**

Life Goes On is a lunch group for people who have lost a spouse, child, sibling, family member or friend. All are welcome. The May meeting will take place at 12:15PM on Wednesday, May 15th. If you are planning to attend, please phone Arlene Foley at 797-2111 to aid in planning the group's reservation.



BOOK CLUB TO MEET THURSDAY MAY 23rd AT [5:30PM](#) AT THE RECTORY TO CONTINUE READING “*THE POWER OF LOVE: SERMONS, REFLECTIONS, AND WISDOM TO UPLIFT AND INSPIRE*” by Michael Curry

It’s summer time—or at least golf season—so the Book Club meets on the 4th THURSDAY at 5:30 pm. Therefore the next meeting of the Book Club will be Thursday, May 23rd at [5:30PM](#) at the Rectory. The pace of the reading is set by the members of the Book Club. Since the book is a collection of Bishop Curry’s sermons and reflections, the Book Club is reading the book aloud.

Here’s the publisher’s blurb:

**"Love is the way. Love is the only way. Those who follow in my way follow in the way of unconditional, unselfish, sacrificial love. And that kind of love can change the world."
--Bishop Michael Curry**

Two billion people watched Bishop Michael Curry deliver his sermon on the redemptive power of love at the royal wedding of Prince Harry and Meghan Markle (now the Duke and Duchess of Sussex) at Windsor Castle. Here, he shares the full text of the sermon, plus an introduction and four of his favorite sermons on the themes of love and social justice. The world has met Bishop Curry and has been moved by his riveting, hopeful, and deceptively simple message: love and acceptance are what we need in these strange times.

Interested? Pick up a copy and come on Thursday, May 23rd at [5:30PM](#) to Book Club!



**SAVE THE DATE!
EASTER 7 BRUNCH AT THE RECTORY
SUNDAY, JUNE 2, 2019
AFTER 10 AM SERVICE**

In a blatant attempt to raise attendance during Eastertide and spread out Easter joy and chocolate throughout the Easter season, all are invited to an Easter Brunch at the rectory following the 10 AM service on Easter 7—yes the seventh week of Easter, Sunday, June 2nd. A spring feast of “mock

soufflé,” asparagus, salad, fruit, breads and dessert will be offered. Come for food, fellowship and fun! Come play with Thomas, on his best behavior, as the older and wiser Alphege figures out how to get more treats than Thomas. Come! All are welcome! Sign-up in the narthex before May 28th or RSVP to allsaintsjcny@aol.com.



Learn fun and useful ways to keep your parish engaging in ministry with time, talent, and treasure year-round. Explore giving as a spiritual practice and understand stewardship as building connections and drawing people deeper into community.

This workshop is for anyone interested in stewardship, especially those leading ministries or stewardship campaigns. Suitable for parishes of all sizes.

There is no charge for this workshop, but registration is required. The closest Year-Round Stewardship Workshop is Thursday, May 9th at Christ Church, Binghamton:

[REGISTER by May 7th.](#)

Thursday, May 9th
6:30-8:00 p.m.
Christ Episcopal Church
10 Henry Street, Binghamton

When you arrive: Parking is available in Metrocenter lot off of Henry Street; we have tokens. From Metrocenter lot, walk up the church sidewalk through the main entrance to the sanctuary. Parking also is available in the Boscov's parking ramp. From Boscov's walk across Water Street and enter Christ Church from the small parking lot



As a baptized Christian, you are called to ministry.

Are you looking for ways to serve God and your church more deeply?

Are you curious about what it would be like to preach or lead worship as a layperson?

Have you ever wondered if you are called to be a priest or deacon?

Explore your call to ministry in the Episcopal Diocese of Central New York at this free Ministry Discernment Day on Saturday, May 18th. Hear from priests, deacons, and leaders of lay ministry programs about their unique calls to ministry and how they discern and live into paths. Discover the lay and ordained ministry opportunities and programs in the Episcopal Diocese of Central New York.

This event is free and open to anyone interested in attending. Clergy may encourage parishioners to participate, and may join parishioners at the event to support the discernment process.

Ministry Discernment Days organized by the Commission on Ministry of the Diocese of Central New York. They are offered twice a year and are an optional part of the [Ordination and Discernment Process](#).

Registration

Please register by May 15th.

Date and Time: Sat, May 18, 2019 9:00 AM – 12:00 PM EDT

Location: Christ Episcopal Church
407 East Seneca Street
Manlius, NY 13104

The following is from *The Joyful NoiseLetter* to which your editor subscribes.

Squeezing oranges

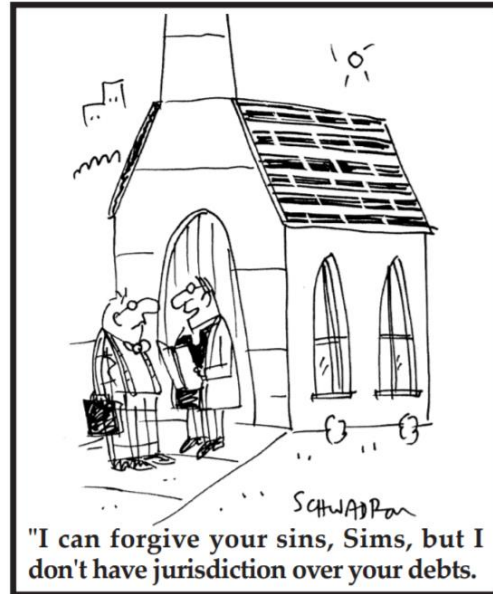
A circus athlete, who earned his living displaying astonishing feats of physical strength, normally would conclude his show with a demonstration of his ability to squeeze an orange dry. Then he would challenge anyone in the audience who could extract even one drop of juice from the crushed orange. When a small man volunteered, everyone in the audience laughed. Undaunted, the diminutive man stepped onto the stage and took from the strong man a shriveled up piece of orange rind. He slowly compressed his right hand until, to everyone's amazement, a drop of orange juice dripped on the floor.

As the cheers subsided, the astonished strong man asked the little man his name and invited him to tell the crowd how he had managed to develop such fistic powers.

"Nothing to it," replied the man, grinning. "I happen to be the treasurer of my church."

A cheerful heart is a good medicine. Proverbs 17:22

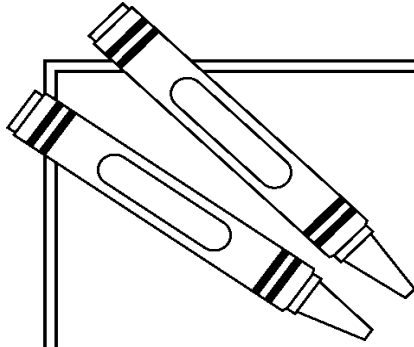
The resurrection consists not in words, but in life and power. The heart should take inward delight in this and be joyful.
— Martin Luther



from *JoyfulNoiseletter.com*
©Harley L. Schwadron
Reprinted with permission



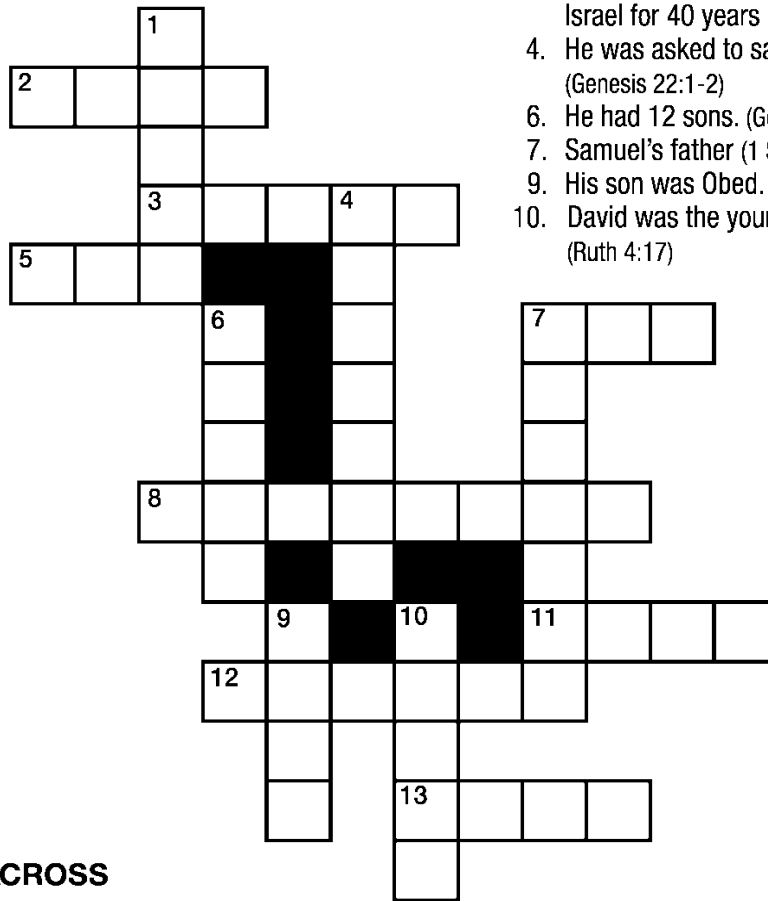
from *JoyfulNoiseletter.com*
©Tim Oliphant
Reprinted with permission



Just for **KIDS**

FATHERS IN THE BIBLE

God plans for our fathers to play important parts in our lives. Fill in the puzzle squares with names of important fathers from the Bible. Use the clues and verse references below to help.



DOWN

1. King Solomon's father, who ruled over Israel for 40 years (2 Samuel 5:4)
4. He was asked to sacrifice his son Isaac. (Genesis 22:1-2)
6. He had 12 sons. (Genesis 35:22)
7. Samuel's father (1 Samuel 1:19-20)
9. His son was Obed. (Ruth 4:21)
10. David was the youngest of his 8 sons. (Ruth 4:17)

ACROSS

2. His 3 sons helped him build an ark. (Genesis 6:10)
3. His youngest son, Jacob, tricked him into giving away the birthright of his older son Esau. (Genesis 27:30)
5. The Father of our Lord (Ephesians 1:3)
7. His sons were not like Samuel. They were wicked. (1 Samuel 2:12).
8. David's best friend and father of Mephibosheth (2 Samuel 9:6)
11. Father of Cain, Abel and Seth (Genesis 4:25)
12. He was married to Mary, mother of Jesus. (Matthew 1:20-21)
13. Father of Jonathan, he was chosen by the people as the first king of Israel. (2 Samuel 9:6)

Parish Financial Status Report for 2019

2019 has been a very interesting year for All Saints so far. During the 2019 budget preparation process that took place last November & December, the Budget & Finance Committee quickly discovered that there weren't going to be enough estimated revenues (income) to cover our anticipated expenses by approximately \$30,000. It was also apparent that the Church really didn't have enough cash reserves carried over from 2018 to cover such a budget gap (deficit) in 2019, so the Budget & Finance Committee and the Vestry became very concerned.

During our budget deliberations in December, Mother Chris offered to reduce her workload starting May 1st 2019 to ¾ time which significantly helped to reduce some of our expenses for 2019. The Vestry accepted her offer to reduce her workload and salary beginning May 1. The 2019 adopted budget reflected this change in salary and benefits which reduced our projected budget gap to approximately \$11,000.

Additionally, a Long-Term Planning Committee was created by the Vestry in February to discuss the issues that were raised by the budget preparation process (financial and other). This committee's mission was to try to quickly come up with some recommendations for the Vestry to deal with these financial and other concerns.

It's now the middle of April and some things have happened since the beginning of the year. Recently we received a couple of large checks (unrestricted gifts) amounting to \$15,200 that can be used for operations. This will eliminate our projected budget gap for 2019.

I have heard that there were rumors that All Saints was going to close; that we couldn't afford to stay open. That is simply not true. We're trying very hard to come up with viable solutions to help ensure that All Saints Church will continue to be open. Please remember to "keep the faith" as we move forward.

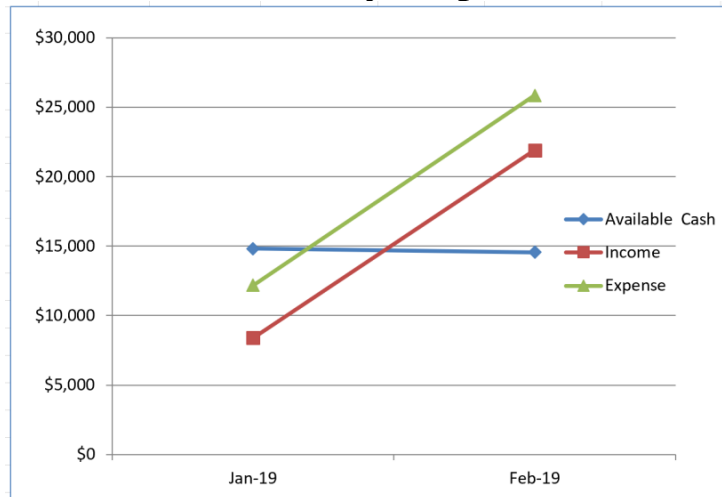
Tom Johnson

Truly, with "God all things are possible"
(Mt. 19:26).

The information below is a combination of March Actuals but a look also at the approved amended budget to reflect the significant donation received the first Sunday in April as mentioned above. The positive cash flow will be seen in the May *Crossway* chart.

	Actual March 31, 2019	Annual Budget 2019 From Annual Meeting	Amended Budget 2019 Approved at April Vestry Meeting
Offering & Pledges	\$27,214	\$115,751	\$112,629
Fundraising	\$96	\$16,259	\$17,944
Other Income	\$6,759	\$12,203	\$28,033
Total Income	\$34,070	\$144,213	\$158,606
Total Expenses	\$40,109	\$154,906	\$154,635
Profit(Loss)	(\$6,039)	(\$10,693)	\$3,972
Income Needed from Equity Surplus	(\$6,039)	(\$10,693)	\$0

Monthly Graph



Questions? Contact Treasurer Barb Freed (BarbF305@aol.com) or a Vestry member!



Short Term: Joan Jones, Noelle Benson, The Genthner family, the Macarak family, Mother Elizabeth Ewing, Bill Kasmarcik, Monica, Karen Zimmer, Sue Lundin, Tom Johnson, Joe Finta, Ardis Rogers, Mark Ty, Dan Cooley, Nancy Clark, David Ward, Megan Scott, David “Angle” Pena, Patrick Rowe, Nick Kochian, Jeanette Cook, Luther Chergosky, David & Judy Horton, Margaret Isaminger, and Sarah Harrison-Pautard.

Long Term: Justin Avery, Dorothy Pierce, Cindy Anderson, Louise Rogers, Sam McMullen, Eli Pierce, Tiernan, Lori Szwalla, Tony Szwalla, Ralph Holloway, Betty McCurry, Bob Gillmer, Kenneth Barkman, Jenna Knapp, and Nanette McIntosh



Shut-In: Lee Grabowski, Doris Brink, Clark Byarley, Sally Cole, Joseph Dotolo, Arlene Foley, Ruth Furman, Shirley Goetz, Patricia Holloway, Shirley Krum and Ardis Rogers

Military: Ben Holbus, Curtis Sholtes, Robert Preston, Joe Gentile, Justin Gillmer, Michael Lak~



CELEBRATIONS IN MAY!



- 03 William Lawson
- 04 Darlene Byarley
- 08 David Pierce
- 13 Margaret Vollrath
- 15 Sally Cole
- 16 Lonna Pierce
- William Trowbridge
- 17 Lee Grabowski
- 19 Ceil Cwikla
- Addison Grabowski

- 23 Adrianna Finta
- Christopher Lake
- 25 Stacy Davie
- Conner Hrebin
- 27 Tucker Hollenbeck
- 30 Isabella LaMaine



- 10 Larry and Ida Taft



Sanctuary Candle

May 5 — None

May 12 — given in memory of Iva Chamberlain by Linda Barkman

May 19 — None

May 26 — given in memory of Bill Barkman by Linda Barkman



Altar Flowers

Altar Flowers

May 5 – None

May 12– given in thanksgiving of the wedding anniversary of Stacy and John Gasdaska by Marilyn Doersam

May 19 – given in thanksgiving of the wedding anniversary of Stephanie and Ben Holbus by Debbie and Don Thorpe and in thanksgiving of their grand-daughter's birthday, Adrianna Finta, by Ida and Larry Taft

May 26–given in memory of his dad, Albert Thorpe by Don Thorpe

The Deadline for the combined June/July issue of *Crossways* is May 23rd



Peace is my continual gift to you. It flows abundantly from My throne of grace. Just as the Israelites could not store up manna for the future but had to gather it daily, so it is with My Peace. The day-by-day collecting of manna kept My people aware of their dependence on Me. Similarly, I give you sufficient Peace for the present when you come to me by prayer and petition with thanksgiving. If I gave you permanent Peace, Independent of My Presence, you might fall into the trap of self-sufficiency. May that never be!

I have designed you to need Me moment by moment. As your awareness of your neediness increases, so does your realization of My abundant sufficiency. I can meet every one of your needs without draining My resources at all. Approach My throne of grace with bold confidence, receiving My Peace with a thankful heart.

“Jesus Calling” by Sarah Young

Reprinted with permission from St. Ann's Episcopal Church *The Parish News*

THE FINAL WORD

At daybreak he called together all of his disciples and chose twelve of them to be apostles. Luke 6:13.

From his many followers, Jesus chose 12 apostles to be his regular companions. We see no evidence in Scripture that Jesus chose these people on the basis of any extraordinary talents or assets they possessed. The only notable characteristic they all shared was their willingness to follow Jesus. With that in mind, read the following.

Why do you go to church?

A lady went to the Pastor of her church and said... "I won't be attending Church anymore."

He said, "May I ask why?" She said, "I see people on their cell phones texting and typing during the service, some are gossiping, some just ain't living right, some are sleeping, some are staring at me, they are all just hypocrites..." The Pastor got silent, and then he said, "OK... But can I ask you to do something for me before you make your final decision?" She said, "sure, what's that?"

He said, "Take a glass of water and walk around the church 2 times and don't let any water fall out of the glass." She said, "Yes I can do that!" And went and got the glass of water. She came back and said proudly, "It's done." Then he asked her these questions:

"1. Did you see anybody on their phone?"

"2. Did you see anybody gossiping?"

"3. Was anybody living wrong?"

"4. Did you see anyone sleeping?"

She replied, "I didn't see anything because I was completely focused on this glass, so that none of the water would fall." He told her, "When you come to Church, you should be just that focused on God, so that YOU don't fall."

THAT'S WHY JESUS SAID "FOLLOW ME!!!"

He did not say to follow Christians.

Don't let your relationship with God be determined by how others relate to God. Let it be determined by how focused you are on God.

May 2019

Sunday	Monday	Tuesday	Wednesday	Thursday	Friday	Saturday
<p>28 + Monthly Scout Campout - Tuscarora - Theme: Camp Setup 9:00 AM "Dwelling in the Word" 10:00 AM Holy Eucharist 12:00 PM - 1:30 2:30 PM Susquehanna HE</p>	<p>29 Office Closed 10:00 AM - 11:00 AM CHOW Pantry 10:00 AM Love Box Collection Day 6:00 PM - 8:00 PM Cub Pack 100 Meeting</p>	<p>30 10:00 AM - 11:00 AM CHOW Pantry 6:00 PM - 8:00 PM Boy Scout Troop 110 Meeting</p>	<p>1 10:00 AM - 11:00 AM CHOW Pantry</p>	<p>2 National Day of Prayer 7:00 AM Faith In Action Volunteer Honoree 10:00 AM - 11:00 AM CHOW Pantry 7:15 PM Choir Practice as called by director</p>	<p>3 Office Closed Rector Off Day 1:00 PM Lunch Group</p>	<p>4 12:00 PM - 1:00 PM Soup & Sandwich Lunch 4:00 PM - 7:00 PM Scouts Pasta Dinner 5:00 PM - 6:00 PM Holy Eucharist</p>
<p>5 9:00 AM "Dwelling in the Word" 10:00 AM Holy Eucharist 6:30 PM Scouts Committee Mtg</p>	<p>6 Office Closed 10:00 AM - 11:00 AM CHOW Pantry 6:00 PM - 8:00 PM Cub Pack 100 Meeting</p>	<p>7+ 10:00 AM - 11:00 AM CHOW Pantry 3:30 PM Rector/Wardens Meeting 6:00 PM - 8:00 PM Boy Scout Troop 110 Meeting 6:30 PM Jr. League BD Meeting</p>	<p>8 10:00 AM - 11:00 AM CHOW Pantry 6:30 PM Vestry Meeting</p>	<p>9 10:00 AM - 11:00 AM CHOW Pantry 7:15 PM Choir Practice as called by director</p>	<p>10 Office Closed Rector Off Day 6:00 PM - 7:00 PM Set up for chicken BBQ</p>	<p>11  11:00 AM Chicken BBQ 12:00 PM - 1:00 PM Soup & Sandwich Lunch 5:00 PM - 6:00 PM Holy Eucharist</p>
<p>12+ Mothers Day 9:00 AM "Dwelling in the Word" 10:00 AM Holy Eucharist 12:00 PM - 1:30 PM Confirmation Classes 2:30 PM Bridgewater - HE</p>	<p>13 Office Closed 10:00 AM - 11:00 AM CHOW Pantry 6:00 PM - 8:00 PM Cub Pack 100 Meeting</p>	<p>14 10:00 AM - 11:00 AM CHOW Pantry 6:00 PM - 8:00 PM Boy Scout Troop 110 Meeting</p>	<p>15 10:00 AM - 11:00 AM CHOW Pantry 12:30 PM Life Goes On</p>	<p>16 10:00 AM - 11:00 AM CHOW Pantry 7:15 PM Choir Practice as called by director</p>	<p>17 Office Closed Rector Off Day</p>	<p>18 10:00 AM Workers Center of the Southern Tier 12:00 PM - 1:00 PM Soup & Sandwich Lunch 5:00 PM - 6:00 PM Holy Eucharist</p>
<p>19 9:00 AM "Dwelling in the Word" 10:00 AM Holy Eucharist 12:00 PM - 1:30 Confirmation Classes 12:00PM - 3:00PM - Sacred Sites</p>	<p>20 Office Closed 10:00 AM - 11:00 AM CHOW Pantry 6:00 PM - 8:00 PM Cub Pack 100 Meeting</p>	<p>21+ 10:00 AM - 11:00 AM CHOW Pantry 6:00 PM - 8:00 PM Boy Scout Troop 110 Meeting</p>	<p>22 10:00 AM - 11:00 AM CHOW Pantry 12:00 PM Clericus Lunch 2:00 pm Learning Community Mtg</p>	<p>23 10:00 AM - 11:00 AM CHOW Pantry 5:30 PM Book Club 7:15 PM Choir Practice as called by director</p>	<p>24 Office Closed Rector Off Day</p>	<p>25 12:00 PM - 1:00 PM Soup & Sandwich Lunch 5:00 PM - 6:00 PM Holy Eucharist</p>
<p>26+ 9:00 AM "Dwelling in the Word" 10:00 AM Holy Eucharist 2:30 PM Susquehanna HE</p>	<p>27 Memorial Day Office Closed 10:00 AM - 11:00 AM CHOW Pantry 6:00 PM - 8:00 PM Cub Pack 100 Meeting</p>	<p>28+ 10:00 AM -- 11:00 AM CHOW Pantry 6:00 PM - 8:00 PM Boy Scout Troop 110 Meeting</p>	<p>29 Confirmation at St. Paul's Endicott NY 10:00 AM - 11:00 AM CHOW Pantry</p>	<p>30 10:00 AM - 11:00 AM CHOW Pantry 7:15 PM Choir Practice as called by director</p>	<p>31 Office Closed Rector Off Day</p>	<p>1 12:00 PM - 1:00 PM Soup & Sandwich Lunch 5:00 PM - 6:00 PM Holy Eucharist</p>